

Диммер DIM010 (12/24V, 96/192W)

Summarization

This dimmer have small sharp, through input 0-10V analog signal to control load output, dimmer provide 0-10 v port, it can external input 0-10v dimming, and also can connect potentiometer to dimming;The dimmer output signal adopt most advanced PWM digital brightness adjustment technology, can control a variety of lamp whose source of light is LED. For instance, point source of light,flexible strip light, wall washer lamp, glass curtain wall light and so on; It is cheap, Connection convenient, easy to use.



Technical parameters

Working temperature: -20~+60°C

Supply voltage: DC5~24V

Output: 0-10v dimmer signal

Connect mode: common anode

Output current: ≤8A

Output power: 12V:<96W, 24V:<192W

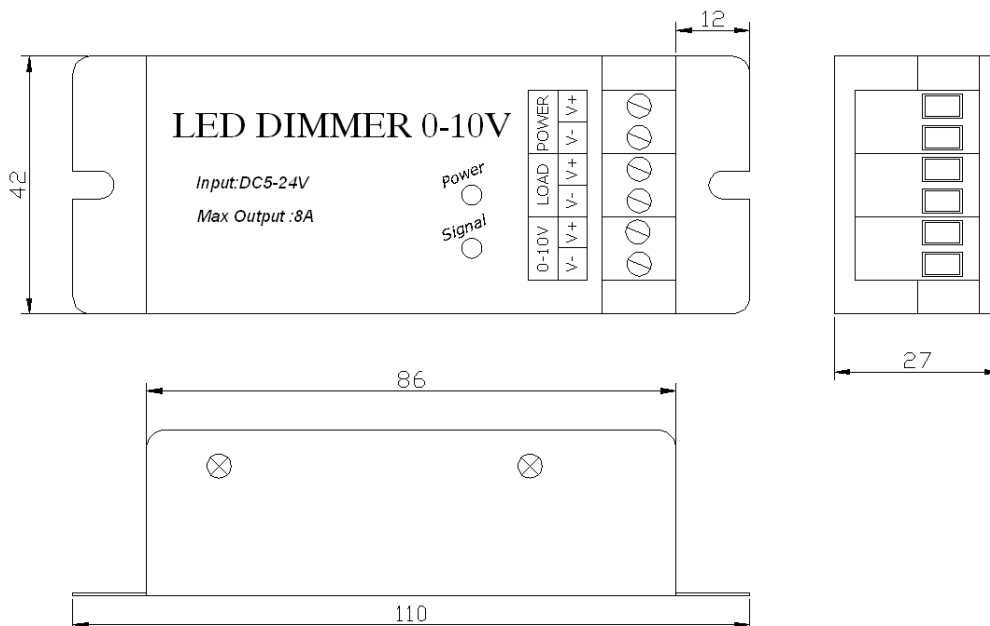
External dimension: L108 X W42 X H27 mm

Packing size: L110XW50XH40mm

Net weight: 112g

Gross weight: 135g

External Dimension:



Unit: mm

Interface Specifications:

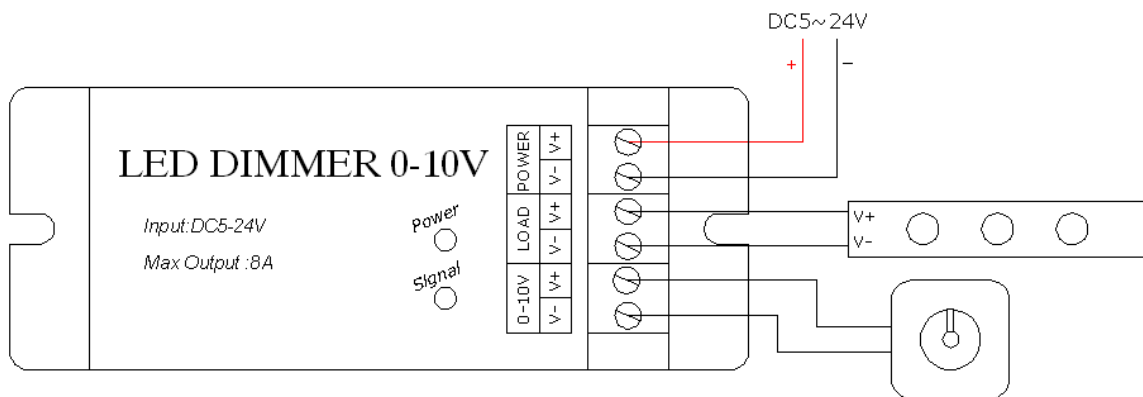
POWER: Power supply input port, V+ connect the positive pole of the power supply, V- connect the negative pole of power supply, power supply voltage range is DC5-24V.

LOAD: Load output port, V+ connect positive pole, V- connect negative pole.

0-10V: Dimming signal input port, can external input 0-10v dimming, and also can connect potentiometer to dimming.

Typical Applications

1. Connect potentiometer to dimming($R_{max} > 100K\Omega$)



2. External connect 0-10V voltage dimming

